

# EOHD- 00201

---

## HDMI Fiber Optic Extender User Manual



## 1. Description

---

The EOHD- 00201 Fiber optic extender provides extension of HDMI and 3D signals long distances over one fiber optic cable, it supports high resolution up to 1080P, EDID copy function. The extender can use for a wide range of applications requiring long distance transmission of high resolution with high quality by its good stability and powerful security.

## 2. Features

---

- | **Transmits HDMI video signals up to 2km- 10km over one fiber optic cable;**
- | **Support video resolution up to 1920\*1200@60Hz, 3D signal;**
- | **Support copy EDID, can match many kind display device;**
- | **Compliance with HDMI 1.3 and HDCP 1.2 standard;**
- | **High compatibility, can auto- match source and display device;**
- | **Built- in automatic adjustment system, make the image smooth, clear and stable;**
- | **Built- in ESD protection system;**
- | **Simple to install, plug and play;**

### 3. Specifications

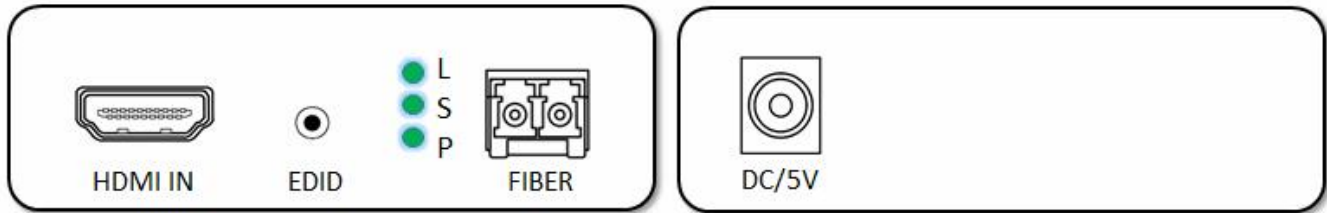
---

	<b>Parameter</b>	<b>Description</b>
<b>Video</b>	<b>Standards</b>	<b>HDMI 1.3; HDCP 1.2</b>
	<b>Maximum pixel clock</b>	<b>165MHz</b>
	<b>Maximum data rate</b>	<b>6.75Gbps</b>
	<b>Resolution range</b>	<b>Up to 1920X1200@60Hz</b>
	<b>Connector</b>	<b>Female HDMI type A</b>
	<b>Impedance</b>	<b>100Ω</b>
<b>Optical fiber</b>	<b>Interface</b>	<b>SFP model – LC connector</b>
	<b>Fiber type</b>	<b>Single- mode</b>
	<b>Wavelength</b>	<b>Single- mode 1310nm</b>
	<b>Interface bandwidth</b>	<b>10Gbps</b>
	<b>Transmission distance</b>	<b>Single- mode fiber: standard 2km ; maximum 10km</b>
<b>Other</b>	<b>Power supply</b>	<b>The power adapter: DC 5V/2A</b>
	<b>Power dissipation</b>	<b>MAX 5W</b>
	<b>Temperature</b>	<b>Operating: - 5°C ~ +70°C</b>
	<b>Humidity</b>	<b>Operating: 5% ~ 90%</b>
	<b>Dimension</b>	<b>94.5*73*26mm</b>
	<b>The warranty</b>	<b>1 year free warranty, life- long maintenance</b>

## 4. Panel

---

### Transmitter:



### Receiver:



Port name	Description
<b>HDMI IN/OUT</b>	<b>HDMI signal input/output</b>
<b>EDID</b>	<b>EDID button, press 3 second to copy EDID of display device</b>
<b>DC/5V</b>	<b>Power adapter socket</b>
<b>FIBER</b>	<b>SFP model - - - LC connector</b>
<b>LED indicator</b>	<b>Description</b>
<b>L</b>	<b>Optical fiber signal connection indicator</b>
<b>S</b>	<b>Video signal connection indicator</b>
<b>P</b>	<b>System power indicator</b>

## 5. Package list

---

- | HDMI optical fiber transmitter ..... 1 pc
- | HDMI optical fiber receiver ..... 1 pc
- | Fiber optic module TX/RX .....1 set
- | Power adapter .....2 pcs
- | User manual ..... 1 pc

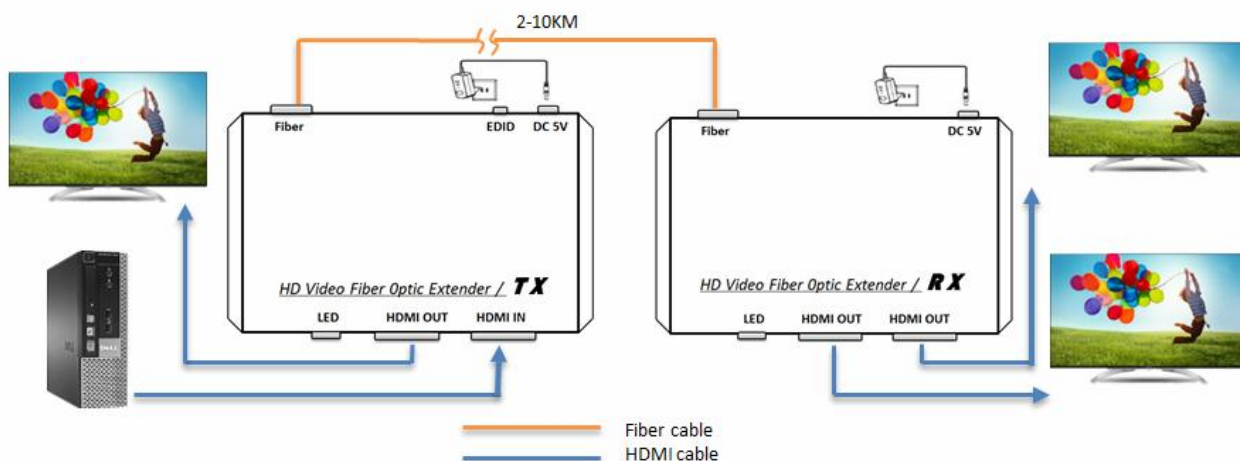
## 6. Installation

---

1. Connect the provided DC/5V power supplies to the power socket of the transmitter and the receiver,
2. Connect an HDMI cable between the HDMI input port of transmitter and the HDMI output port of the video source,
3. Connect the HDMI output port of receiver to the display device with HDMI cable,
4. Connect the transmitter optical port to the receiver optical port using one fiber optic cable.

## 7. Diagram

---



## 8. Warranty

---

Thank you very much for using our products.

The warranty time is one year and life-long maintenance. During this period, any belongs to under normal usage circumstance cause because of the product quality's problem of breakdown, our company will be responsible for giving free maintain.

Free maintain won't be given under the following circumstance:

- l The malfunction and damaged caused by incorrect use, the unauthorized repairs and alteration;
- l The damage caused by fire, flood, abnormal voltage, other natural disasters and secondary product damage;
- l The product malfunction caused by not in accordance with the user manual operation;
- l The malfunction and damaged caused by the other barriers(man- made factors or external device);

Any problems in the after- sales service, please contact us directly.

### Warranty card

Product information			
Model NO		Product code	
Date of purchase			
Malfunction description			
Custom information			
Name		Telephone	
Company		E- mail	
Address			